

Powr-Flite[®]

COMMERCIAL FLOOR CARE EQUIPMENT

Port-A-Heat Deluxe

Models: PFPH

Operator and Parts Manual



IMPORTANT SAFETY & OPERATING INSTRUCTIONS

WARNING: READ SAFETY INSTRUCTIONS AND OPERATORS MANUAL BEFORE USE.

GENERAL WARNINGS

QUICK DISCONNECT FITTINGS ARE HOT! Allow them to cool before disconnecting solution line.

This unit is equipped with a grounded electrical cord, it should only be plugged into grounded extension cord (12 gauge or larger) and no longer than 50 ft.

Do not use if cord is frayed, cut or damaged in any way. Replace cord immediately.

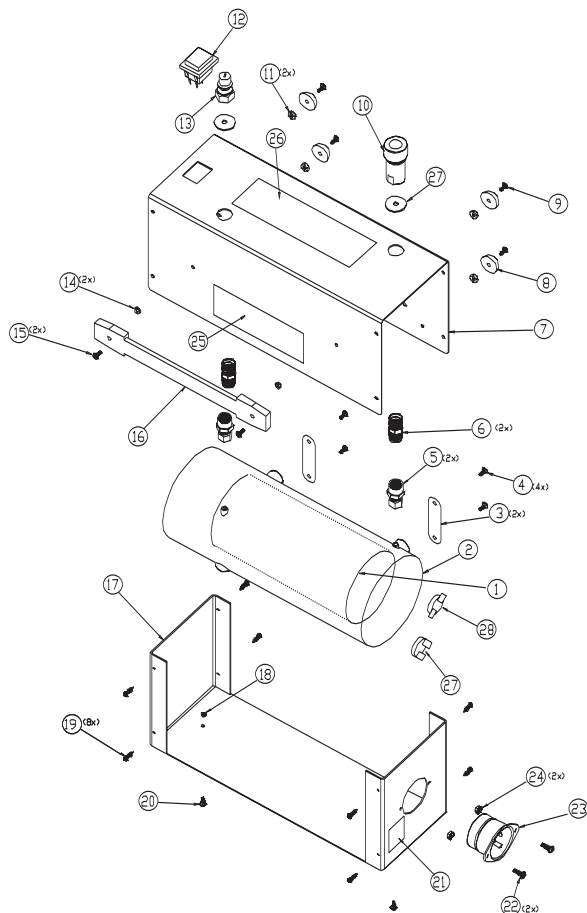
Do not use if unit is sitting in water or on a wet surface.

Do not allow use except by trained professionals.

Do not leave unit unattended during use.

Do not use if protective housing has been altered, modified or removed.

THIS MODEL IS GROUNDED, CONNECT TO A PROPERLY GROUNDED OUTLET ONLY.



OPERATION

The PFPH Port-A-Heat Deluxe external in-line heater hooks directly to any carpet extractor or truckmount solution line with 1/4 inch quick disconnect.

1. Fill the fresh water tank with the hottest tap water available. For maximum heat, tap water should be between to 120 - 130 degrees. If hot tap water is not available, cold water can be used, but 3 - 4 minutes should be allowed for initial heat-up time.
2. Connect short extension hose from heater to female connector on extractor.
3. Connect the solution line to the other brass connector on the heater.
4. Plug the heater into an extension cord and plug the extension cord into a 110-volt wall outlet (separate from the outlet that the extractor is plugged into.)
5. Turn the heater power switch to the "ON" position and prime the pump.
6. Allow 60 to 90 seconds for the "heated" tap water to reach maximum temperature.

MACHINE COMPONENTS

Item #	Part #	Description	QTY
1	X9256	Heater, 1650W 15A Block	1
2	X9226	Insulation Foam	1
3	X9255	Insulation Pad, Cork	2
4	7BS003	Screw 1/4-20 x 1/2 PHIL PAN	4
5	PX156	Compression Fitting	2
6	PX32	Nipple, Close 1/4"	2
7	X9413	Heater Box, Top	1
8	PD3C	Foot, Black , Rubber, Short	4
9	X8276	Screw, 10-24 x 3/4 PHIL Black	4
10	SCP1	Safety Coupler w/ female quick disconnect	1
11	7BF003	#10-24, Nut KEP	4
12	PX87	Switch, Rocker, 20A	1
13	PX5	1/4FPT x 1/4 Male Quick Disconnect	1
14	X8256	Nut 8-32 Keps Zinc	2
15	7DP002	Screw 8-32 x 5/8 PHIL PAN	2
16	72763A	Handle, Heater Box	1
17	X9414	Heater Box, Bottom	1
18	X8256	Nut 8-32 Keps Zinc	1
19	72387A	Screw, #8 x 5/8 PHIL PAN TS Black	8
20	X8201	Screw, #8 x 3/8 PHIL PAN TS TYPE B	1
21	X8459	Label, Serial Number	1
22	X8238	Screw 6-32 x 3/8 PHPH 3/8	2
23	X9429	Receptacle, Flanged Inlet Straight Blade	1
24	7BF001	Nut Kep #6-32 Zinc	2
25	X9389	Label, Port-A-Heat	1
26	X9390	Label, Warning	1
27	72115A	Washer, 5/8 x 1-3/16 Bonded Seal	2
28	PX158	1/2" Disc Manual Reset Thermostat	1
29	PX160	1/2" Disc Automatic Reset Thermostat 185-195F	1